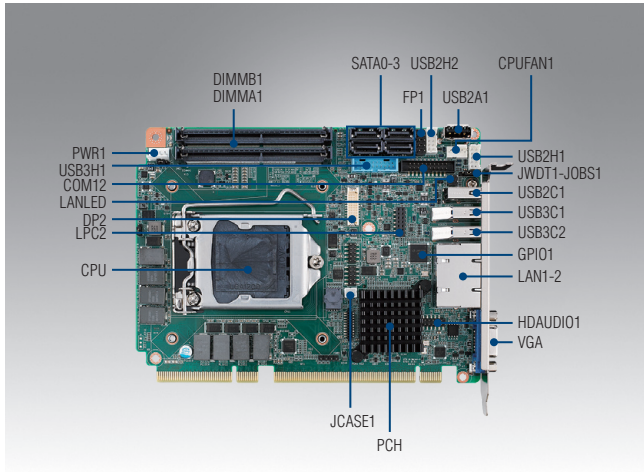


PCE-4132

LGA1200 10th Gen Intel® Xeon® and Core™ i9/i7/i5/i3 Half-size SHB with PCIe 3.0/Triple Independent Display/ Dual GbE LAN/SATA III/USB 3.2



CE FCC

Features

- Complies with PICMG 1.3
- Supports Intel Xeon W Family series, Core i9/i7/i5/i3 LGA1200 processors with W480E chipset
- Dual Channel DDR4 2666/2933 (ECC/non-ECC) up to 64 GB
- Supports PCIe 3.0, USB 3.2, SATA3.0, SW RAID 0, 1, 5, 10
- Supports triple displays: VGA+DVI-D (optional) + DP (optional)
- Supports Advantech TPM module (optional)
- Supports WISE-DeviceOn and embedded software APIs

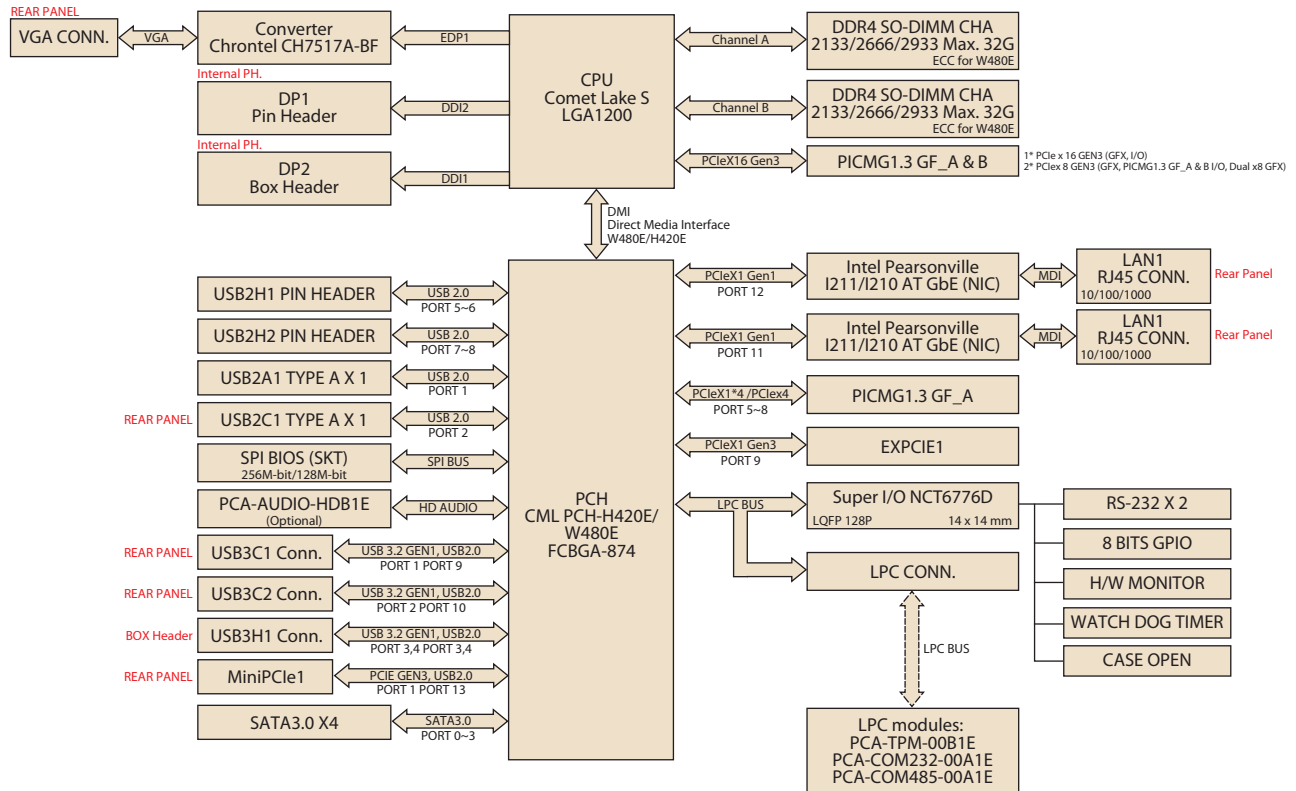
Specifications

	CPU	*W-1290E	W-1290TE	*W-1270E	W-1270TE	*W-1250E	W-1250TE	I9-10900E	I9-10900TE	I7-10700E	I7-10700TE	I5-10500E	I5-10500TE	I5-10500E	I3-10100E	I3-10100TE
Processor System	Speed	3.50GHz	1.80GHz	3.40GHz	2.00GHz	3.50GHz	2.40GHz	2.80GHz	1.80GHz	2.00GHz	2.90GHz	3.10GHz	3.10GHz	2.30GHz	3.6GHz	2.30GHz
	L3 Cache	20MB	20MB	16MB	16MB	12MB	12MB	20MB	20MB	16MB	16MB	12MB	12MB	12MB	6MB	6MB
	Cores	10	10	8	8	6	6	10	10	8	8	6	6	6	4	4
	TDP	95W	35W	80W	35W	80W	35W	65W	35W	35W	65W	65W	65W	35W	65W	35W
	SKU/Chipset	Intel® W480E														
	BIOS	AMI® SPI Flash 256 Mbit														
Bus	PCI-Express	Two x8 or one x16, plus four x1 to backplane (PCIe Gen 3.0)														
Memory	Technology	Dual channel DDR4 ECC 2666/2933 MHz (ECC function enable depends on processor support)														
	Max. Cap.	64 GB (32 GB per DIMM)														
	Socket	DDR4 260-pin SO-DIMM X2														
Graphics	Controller	Chipset integrated Intel HD Graphics														
	VRAM	Shared system memory is subject to OS														
	VGA	Supports resolution up to 2048 x 1152 pixel at 60MHz														
	DVI-D	Supports resolution up to 1920 x 1200 pixel at 60MHz														
	DP	Supports resolution up to 4096 x 2160 @ 60Hz														
	Triple Display	VGA + DP (Optional: PCE-SA01-00A1E) + DVI-D (Optional: 1700021831-01)														
Ethernet	Interface	10/100/1000 Mbps														
	Controller	LAN 1: Intel i210AT LAN 2: Intel i210AT														
	Connector with LED	RJ45 x 2														
Rear I/O	USB 3.2	2														
	USB 2.0	1														
	Ethernet	2														
	VGA	1														
Internal Connector	USB	6 USB2.0 (Pin headers*4 + USB Type A*1); 4 USB3.0 (Pin header)														
	SATA 3.0	4 (600 MB/sec, supports S/W RAID 0,1, 5, 10)														
	mini-PCIe	1 (Optional: PCE-SA01-00A1E, PCIe Gen 2.0)														
	COM	2 (RS-232)														
	GPIO	8 bits														
Watchdog Timer	Output	System reset														
	Interval	Programmable 1-255 sec														
Miscellaneous	Audio	Intel High Definition audio interface (requires an audio extension module P/N: PCA-AUDIO-HDB1E)														
	Test environment	CPU: Intel® Core™ i7-10700E CPU @2.90GHZ, DRAM: 4GB SO-DDR4-2666*2														
Power Requirement	Voltage	+V12				+V5_SB				+V3.3				+V5		
	Current	4.36A				0.17A				1.8A				2.13A		
		Operating														
Environment	Temperature/Humidity	0 ~ 60 °C (32-140 °F); depends on CPU frequency and cooler solution									Non-operating					
		Operating humidity: 40 °C @ 85% RH non-condensing									-40 ~ 85 °C and 60 °C @ 95% RH non-condensing					
Physical	Dimensions (L x H)	172.64 mm x 126.39 mm														

* PCE-4132 support 65W CPU under 60C board-level temperature.

* for 80W/95W CPU, need to proceed under room-temperature.

Block Diagram



Ordering Information

Part Number	PCH	Memory	Backplane	LAN	VGA	DVI-D	DP	COM	SATA III	USB 2.0	USB 3.2	mini-PCIe	S/W RAID	AMT
PCE-4132G2-00A1	W480E	ECC/Non-ECC	PCE-3BXX PCE-4BXX	2	1	1*	1**	2 RS-232 4 RS-422/485 or 4 RS-232 (optional)***	4	6	4	1**	Yes	No

* DVI-D cable (1700021831-01) is optional.

** PCE-SA01-00A1E is required. PCE-SA01-00A1E is compatible with IPC-3026/IPC-6806S/ACP-4020, but not compatible with IPC-3012.

***PCA-COM485-00A1E is required for additional 4*RS-422/485; PCA-COM232-00A1E is required for additional 4*RS-232.

Packing List

Part Number	Description	Quantity
1700003194	Serial ATA HDD data cable	x1
1700008762	2-port COM cable	x1
1703040100	B4P to 4P power cable	x1
2041303200	Startup manual	x1

Optional Accessories

Part Number	Description
*PCA-COM485-00A1E	4 x RS-422/485 module
PCA-COM232-00A1E	4 x RS-232 module
PCA-AUDIO-HDB1E	Audio module with Realtek ACL892
PCA-TPM-00B1E	TPM 2.0 module
PCE-SA01-00A1E	IO extension module
1700021831-01	DP to DVI-D cable w/ BKT
1960053065N001	CPU cooler for 1U Chassis and 55W TDP
1960053207N001	CPU cooler for 1.5U Chassis and 65W TDP
1960050255N001/ 1960077101N001	CPU cooler for 2U Chassis and 95W TDP

*for COM-422 module, BIOS auto-flow need to be set at disable

Bracket View



PCE-4132G2-00A1