

# EKI-2525NI

# EKI-2528NI

## 5-port Unmanaged Industrial Ethernet Switch

## 8-port Unmanaged Industrial Ethernet Switch



### Features

- Provides 5/8 Fast Ethernet ports with Auto MDI/MDI-X
- Supports 10/100 Mbps Auto-Negotiation
- Provides compact size with DIN-rail/Wall mount, and IP30 metal mechanism
- Supports single 12 ~ 48 V<sub>DC</sub> power input
- Supports wide operating temperatures from -40 to 75 °C
- Enhanced traffic prioritization for automation protocols
- Supports PROFINET Conformance-Class A
- Complies with IEC 61131-2 specifications
- Support ESD Level 4

### Introduction

The EKI-2525NI/EKI-2528NI is a 10/100Mbps Fast Ethernet switch comes with a compact metal IP30 rated housing to protect against dusty industrial environments. It supports 12~48 V<sub>DC</sub> single power input design with 3 pins terminal block with lock. To enhance traffic prioritization for automation protocol with PROFINET PTCP filter that ensure a reliable communication on PROFINET networks.

### Specifications

#### Communications

- **Standard** IEEE 802.3, 802.3u, 802.3x
- **LAN** 10/100Base-T (X)
- **Transmission Distance** Up to 100 m
- **Transmission Speed** Up to 100 Mbps

#### Interface

- **Connectors** 8 x RJ45 (EKI-2528N) or 5 x RJ45 (EKI-2525N) terminal block plug-in with lock 3 pins fixed flange screw
- **LED Indicators** PWR  
10/100T (X): Link/Activity, Duplex/Collision

#### Power

- **Input Current**

EKI-2525NI	0.22A@12V <sub>DC</sub>
	0.05A@48V <sub>DC</sub>
EKI-2528NI	0.25A@12V <sub>DC</sub>
	0.0625A@48V <sub>DC</sub>
- **Power Consumption** EKI-2525NI: 2W  
EKI-2528NI: 2.4W
- **Power Input** 12 ~ 48 V<sub>DC</sub>, single inputs

#### Mechanism

- **Dimensions (W x H x D)** EKI-2525NI: 30 x 120 x 95 mm (1.18" x 4.72" x 3.74")  
EKI-2528NI: 30 x 140 x 95 mm (1.18" x 5.51" x 3.74")
- **Enclosure** IP30, Metal shell with solid mounting kits
- **Mounting** DIN-rail

#### Protection

- **Power Reverse** Present
- **Overload current** Present

#### Environment

- **Operating Temperature** -40 ~ 75 °C (-40 ~ 167 °F)
- **Storage Temperature** -40 ~ 85 °C (-40 ~ 185 °F)
- **Operating Humidity** 5 ~ 95% (non-condensing)
- **Storage Humidity** 5 ~ 95% (non-condensing)
- **MTBF** TBD

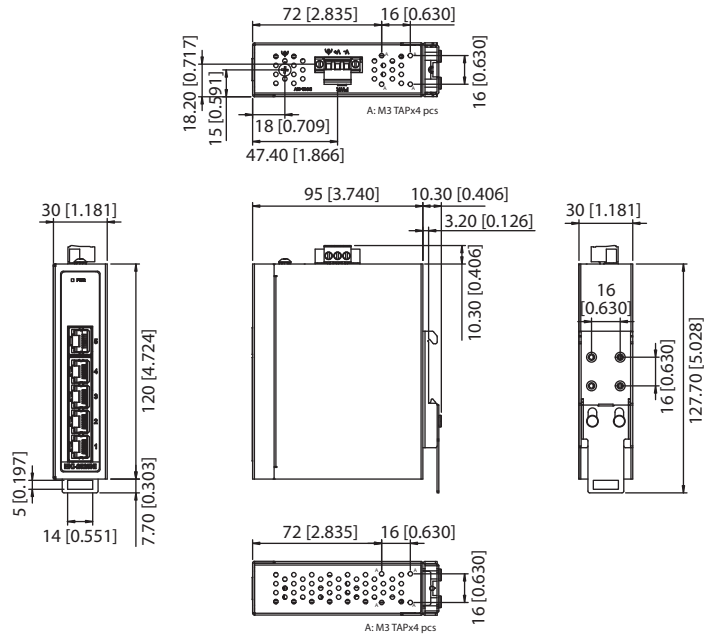
#### Certification

- **EMI** CE, FCC Class A
- **EMS** EN 61000-4-2 Level 4  
EN 61000-4-3 Level 4  
EN 61000-4-4 Level 4  
EN 61000-4-5 Level 4  
EN 61000-4-6 Level 4  
EN 61000-4-8
- **Shock** IEC 60068-2-27
- **Freefall** IEC 60068-2-32
- **Vibration** IEC 60068-2-6

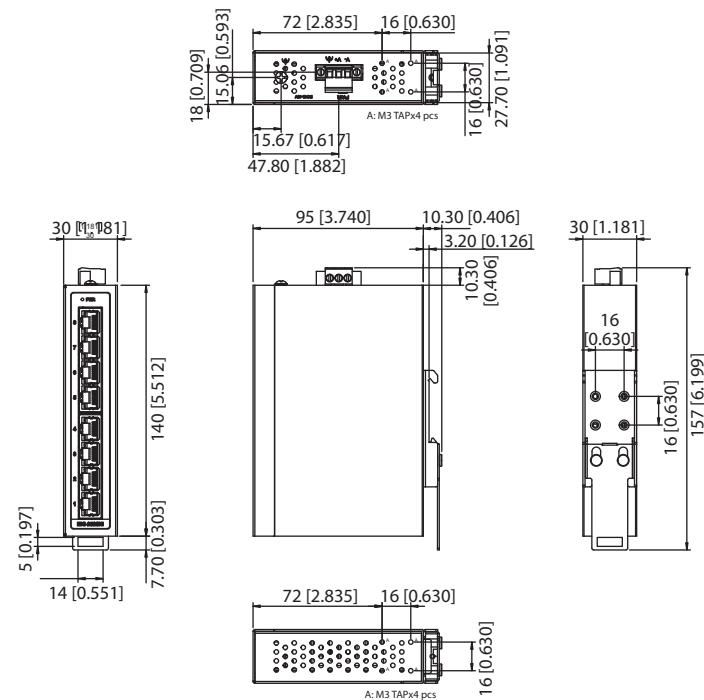
## Dimensions

Unit: mm [inch]

### EKI-2525NI



### EKI-2528NI



## Ordering Information

- **EKI-2525NI-A** 5-port Ethernet Switch w/ Wide Temp
- **EKI-2528NI-A** 8-port Ethernet Switch w/ Wide Temp