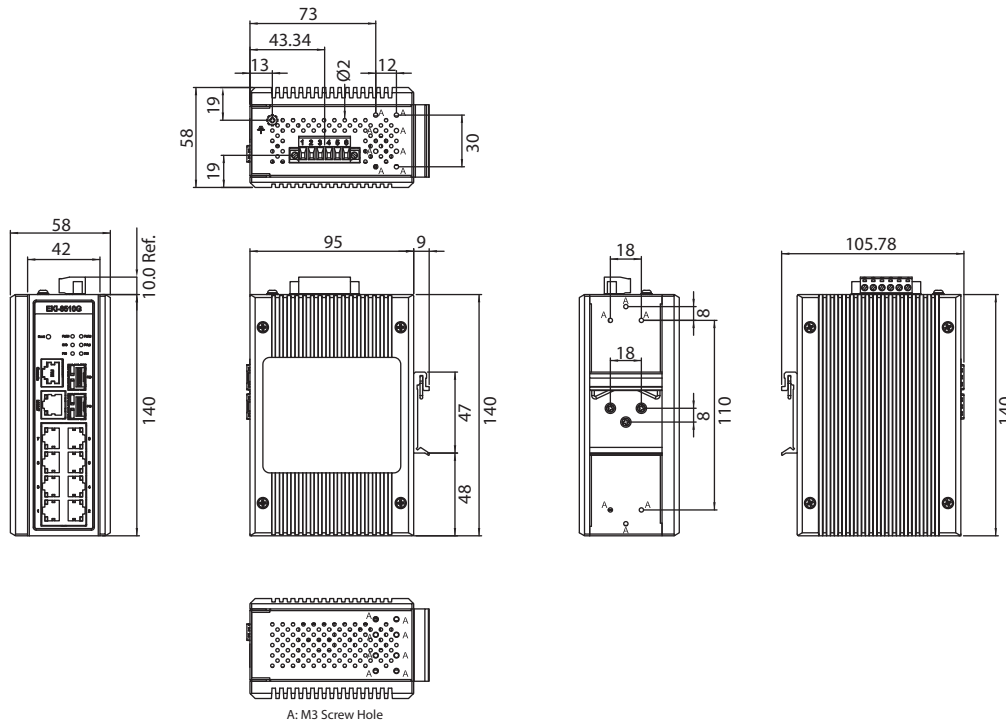




## Dimensions

Unit: mm [inch]



**Panel Cut-out Dimensions (W x H x D): 58 x 140 x 95 mm (2.28" x 5.51" x 3.74" inch)**

### L2 Features

- **L2 MAC Address** 32K
- **Jumbo Frame** 10K
- **VLAN Group** 256 (VLAN ID 1 ~ 4094)
- **Packet Buffer** 32 Mbit
- **VLAN Arrange** 801.1ad Q-in-Q VLAN Stacking, 802.1Q Tag-based VLAN, 802.1v Protocol-based VLAN, MAC-based VLAN, IP Subnet-based VLAN, Private VLAN, Voice VLAN
- **Port Mirroring** 1 to 1, N to 1 Mirroring  
Max Mirror Sessions: 5
- **Link Aggregation** IEEE 802.3ad Dynamic Port Trunking, Static Port Trunking, Load Balance
- **GARP** GVRP, GMRP
- **IP Multicast** IGMP Snooping v1/v2/v3, MLD Snooping, IGMP Immediate leave
- **Storm Control** Broadcast, Multicast, Unknown unicast
- **Redundancy** IEEE 802.1D-STP, IEEE 802.1s-MSTP, IEEE 802.1w-RSTP
- **Standardized Real-Time Ethernet** Time Sensitive Networks (TSN), IEEE 802.1AS, IEEE 802.1Qci, IEEE 802.1CB, IEEE 802.1Qbv, IEEE 802.1Qbu
- **Time Synchronization** IEEE 802.1AS gPTP  
Time Precision: 1 ns  
IEEE 1588v2 PTP

### QoS

- **Priority Queue Scheduling** WRR (Weighted Round Robin), SP (Strict Scheduling Priority) Hybrid Priority
- **Class of Service** IEEE 802.1p Based CoS, IP TOS, DSCP based CoS
- **Rate Limiting** Ingress Rate limit, Egress Rate limit

### Security

- **Port Security** Static, Dynamic IP Source Guard, ARP Spoofing Prevention, Access Control List, DHCP Snooping, 802.1x (Port-Based, MD5 Encryption), TACACS+
- **Authentication**

### Management

- **DHCP** DHCP Client / Server, DHCP Relay, Option 82
- **Access** SNMP v1/v2c/v3, HTTP, HTTPS, Telnet, Standard MIB
- **Configuration Upload / Download** HTTP, TFTP, SFTP
- **Security Access** SSH2.0, SSL
- **Software Upgrade** Configuration Backup / Restore, Dual Image
- **NTP** SNTP client, NTP Client

## Ordering Information

- **EKI-8510G-2FI-A** 8G + 2G SFP Managed TSN Switch w/Wide Temp.