

PPC-324W-P7

23.8" Fanless Panel PC with Intel® Core™ i Processor



Features

- Industrial-grade 23.8" LCD panel with 30k backlight lifetime
- True-flat touchscreen with multi-touch projected capacitive control
- High-performance, fanless 7th generation Intel® Core™ i processor
- Up to 16 GB DDR4 SDRAM
- Compact, fanless design with aluminum alloy enclosure
- IP66-rated front panel
- Supports dual displays (1 x external HDMI)
- Supports full-size mini PCIe expansion
- Supports USB 3.0
- Supports VESA 100
- Supports TPM 2.0 (optional)



Introduction

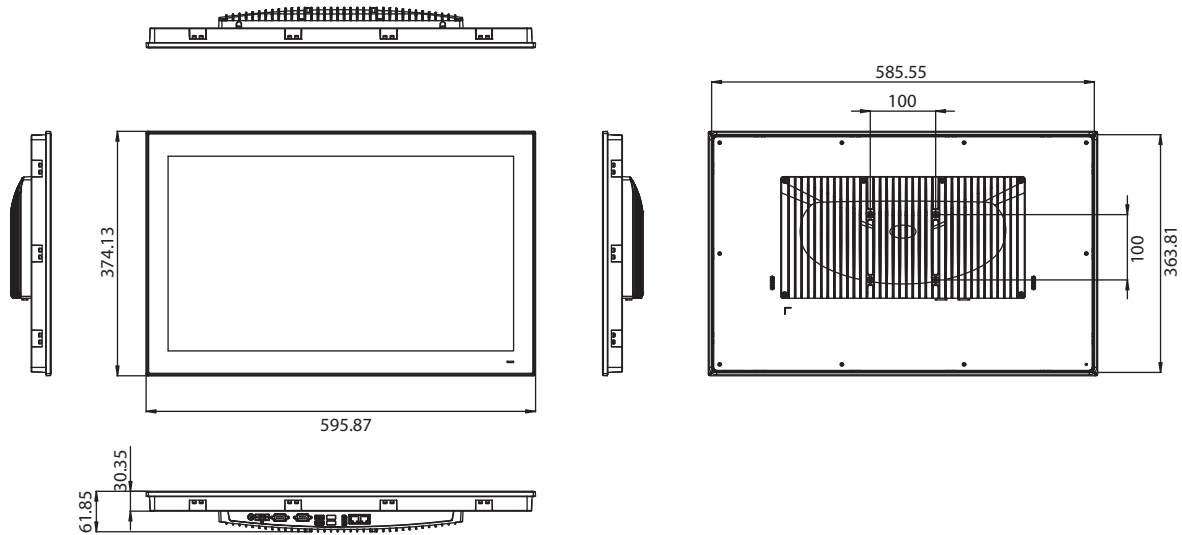
The PPC-324W-P7 is an all-in-one light panel PC with a wide format 23.8" industrial-grade LCD. Powered by 7th generation Intel® Core™ i processor, PPC-324W-P7 provides excellent performance, memory, graphics, and peripheral I/O support in a compact, fanless, embedded system. With a high durability design, PPC-324W-P7 features a true-flat touchscreen with IP66-rated front panel, and die cast aluminum alloy enclosure, making it ideal for diverse applications.

Specifications

System	CPU	i3-7100U	i5-7300U	i7-7600U (Optional)
	Cores	Dual Core	Dual Core	Dual Core
	Frequency	2.4 GHz	2.6 GHz; 3.5 GHz with turbo boost	2.8 GHz; 3.9 GHz with turbo boost
	L3 Cache	3 MB	3 MB	4 MB
	TDP	15W	15W	15W
	Memory	1 x SODIMM DDR4 1866/2133 MHz (max. 16 GB) (1.2 V)		
	Storage	1 x 2.5" SATA bay 1 x mSATA bay		
	Network (LAN)	2 x 10/100/1000 Mbps Ethernet (Intel I219LM Realtek 8119i)		
	I/O	2 x Serial ports: 1 x RS-232, 1 x RS-232/422/485(Adjustable through BIOS) 2 x USB 3.0, 2 x USB 2.0 1 x HDMI 1 x TPM 2.0 internal (optional)		
	Speaker	2 x 1W		
Expansion	1 x Full-size mini PCIe slot			
Watchdog Timer	255 timer levels, set up by software			
Physical Characteristics	Dimensions	595.9 x 374.1 x 61.5 mm (23.5" x 14.7" x 2.4")		
	Weight	8.6kg (18.96lb)		
OS Support	OS Support	Microsoft® Windows 10 IOT LTSC(64-bit), Linux		
Power Consumption	Input Voltage	12 ~ 24 V _{DC}		
	Power Consumption	80W		
LCD	Display Type	23.8" TFT LCD (LED backlight)		
	Resolution	1920 x 1080		
	Viewing Angle	89(left), 89(right), 89(up), 89(down)		
	Luminance (cd/m ²)	350		
	Contrast Ratio	1000		
	Backlight Lifetime	30,000 hr		
Touchscreen	Touch Type	10-point multi-touch projected capacitive		
	Light Transmission	≥85%		
	Controller	USB interface		
Environment	Operating Temperature	0 ~ 50 °C (32 ~ 122 °F)		
	Storage Temperature	-20 ~ 60 °C (-4 ~ 140 °F)		
	Relative Humidity	95% @ 40 °C (non-condensing)		
	Shock	Operating 10 G peak acceleration (11 ms duration), follow IEC 60068-2-27		
	Vibration	Operating Random Vibration Test 5 ~ 500Hz, 2Grms @with SSD, follow IEC 60068-2-64		
	EMC	CE, FCC Class B, BSMI, EN60601-1-2, UKCA		
	Safety	CB, UL, CCC, UKCA		
	Front Panel Protection	IP66 compliant		

Dimensions

Unit: mm

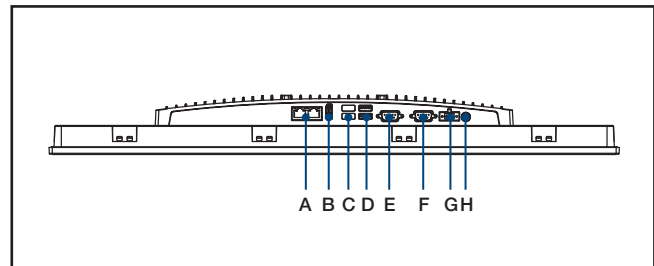


Panel Cutout Dimensions: 586.5 x 364.8 mm (23.09 x 14.36 in)

Ordering Information

Part Number	Description
PPC-324W-P750B	23.8" PPC w/Intel i5-7300U, P-Cap
PPC-324W-P730B	23.8" PPC w/Intel i3-7100U, P-Cap
96PSA-A150W19P2-4	Power adapter 100-240V 150W 19V
PPC-WLAN-D1	M.2, WiFi6 +BT5.2, 2T2R, w/Antenna, Mini PCIe adapter
PPC-ARM-A03	ARM VESA Standard for PPC series
PPC-174T-WL-MTE	Wall mount kit for PPC series
PPC-Stand-A1E	Stand for PPC series
1702002600	Power Cable UL/CSA (USA) 180D 125V10A 1.83M
1702002605	Power Cable 90D 220V EUROPEAN 250V/6A 1.8M
96CB-POWER-B-1.8MA	POWER CORD for China 1.8M
98R3P315100	TPM 2.0 module for PPC-3151SW/3181SW/3211SW/324W-P7
98R3P300010	PPC-300 RFID Read only 13.56MHz&125k

I/O View



- | | |
|----------------|-------------------------|
| A. 2 x LAN | E. COM2: RS-232/422/485 |
| B. HDMI | F. COM1: RS-232 |
| C. 2 x USB 3.0 | G. DC-In |
| D. 2 x USB 2.0 | H. Power Button |

Please note: If some optional modules are offered with the system, additional system certificates may be required in certain regions/countries. Please contact Advantech for certificate compliance.