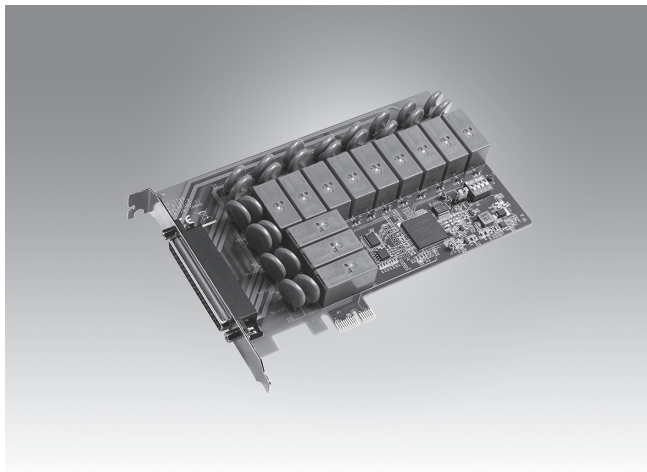


PCIE-1765

12-ch Relay PCIe Card



Features

- 12 relay output channels
- LED indicators to show activated relays
- 12 Form C-type relay output channels
- Output status read-back
- Keep relay output values after emergency reboot

Introduction

The Advantech PCIE-1765 is a 12-channel relay actuator with contact rating up to 2A@30V_{DC} current for the PCIe bus. Its 12 on-board SPDT relays are ideal for applications such as device ON/OFF control or small power switched. For easy monitoring, each relay is equipped with one red LED to show its ON/OFF status.

Specifications

Relay Output

- **Channels** 12
- **Relay Type** SPDT , Form C
- **Contact Rating** 2A@250 V_{AC} , 2A@30 V_{DC}
- **Max. switching power** 500VA, 60W
- **Max. switching voltage** 400 V_{AC}, 30 V_{DC}
- **Breakdown voltage** 1000 V_{AC}
- **Operate Time** Typical: 7ms
- **Release Time** Typical: 2ms
- **Resistance** Contact: 100m Ohm max.
- **Life Expectancy** 30 x 10⁶ cycles min. @ 2A/250 V_{AC}

General

- **I/O Connectors** 1 x DB37 female connector
- **Dimensions (L x H)** 168 x 100 mm (6.6" x 3.9")
- **Power Consumption** Typical: 3.3V @ 250mA
Max. : 3.3V @ 2500mA
- **Operating Temperature** 0 ~ 60°C (32 ~ 140°F)
- **Storage Temperature** -20 ~ 70°C (-4 ~ 158°F)
- **Storage Humidity** 5 ~ 95 % RH, non-condensing

Ordering Information

- **PCIE-1765-AE** 12-ch Relay PCIe Card

Accessories

- - **PCL-10137-1E** DB37 Cable, 1 m
- - **PCL-10137-2E** DB37 Cable, 2 m
- - **PCL-10137-3E** DB37 Cable, 3 m
- - **ADAM-3937-BE** DB37 DIN-rail Wiring Board